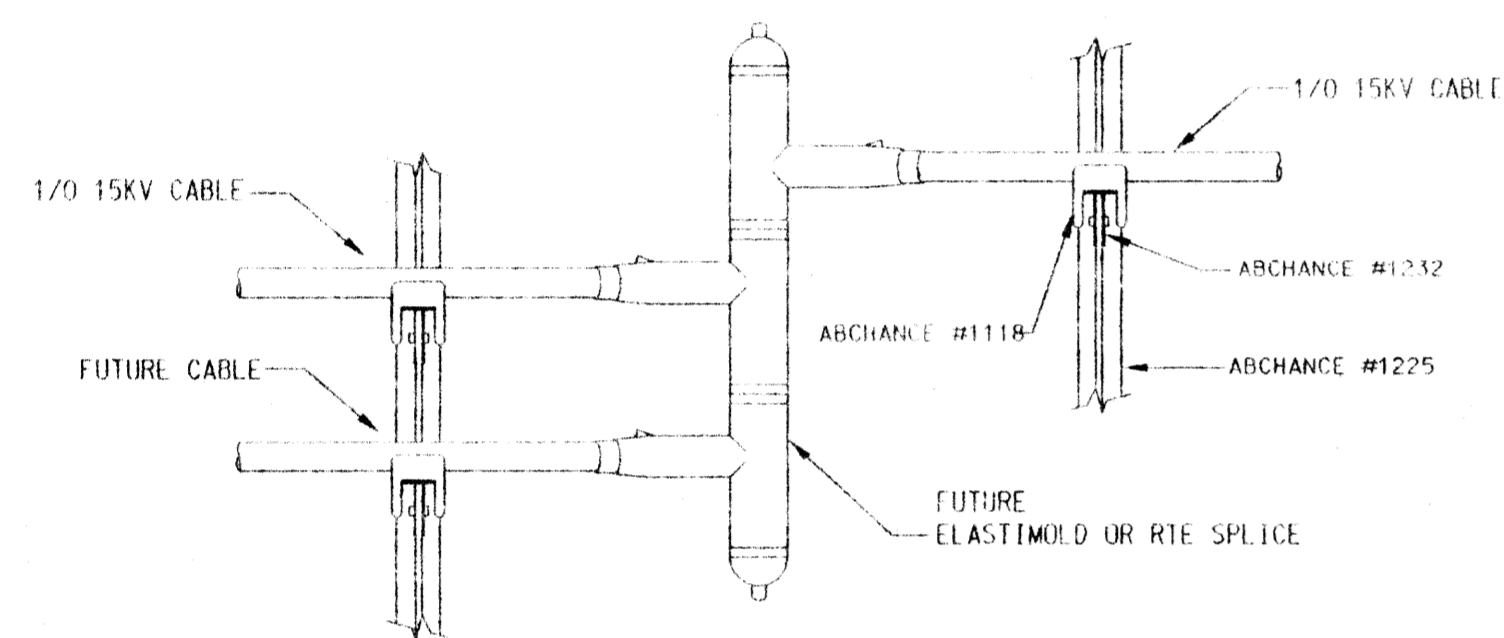
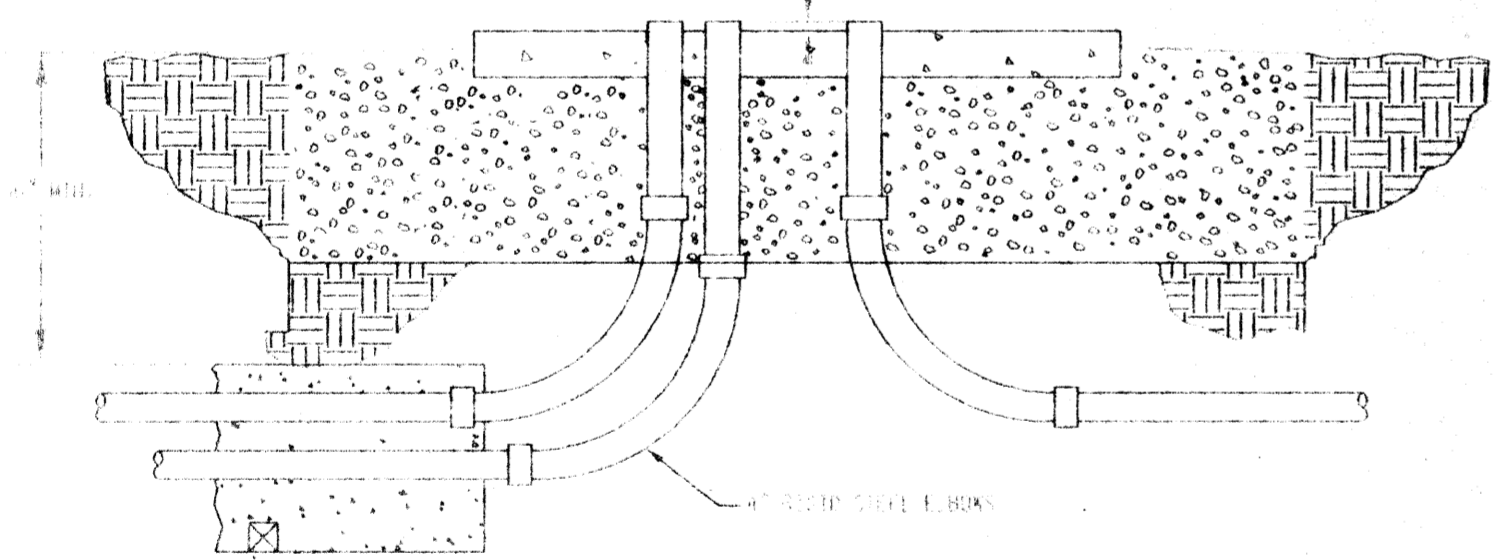


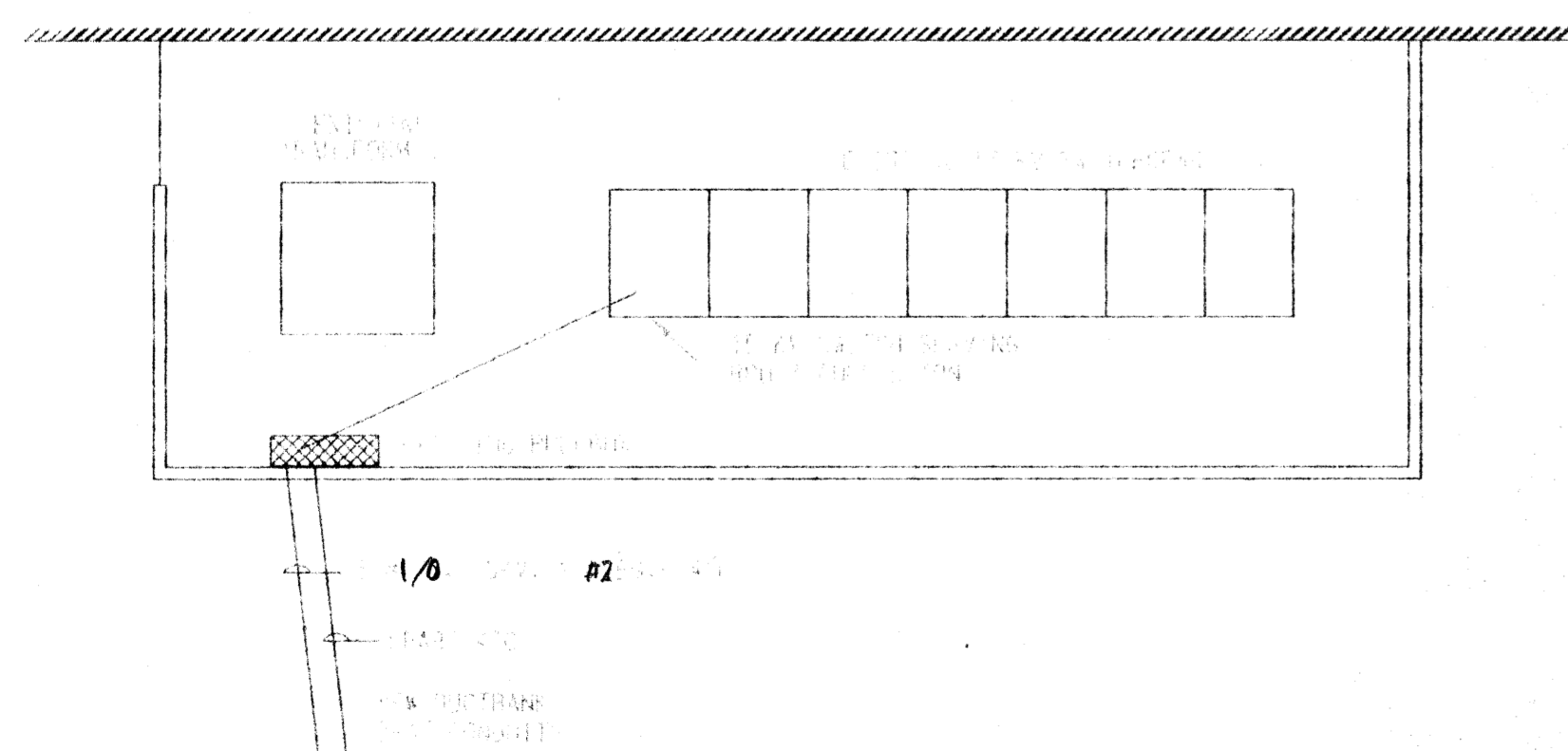
MANHOLE - LAKELAND #U-122
NO SCALE



CABLE SPLICE DETAIL
NO SCALE



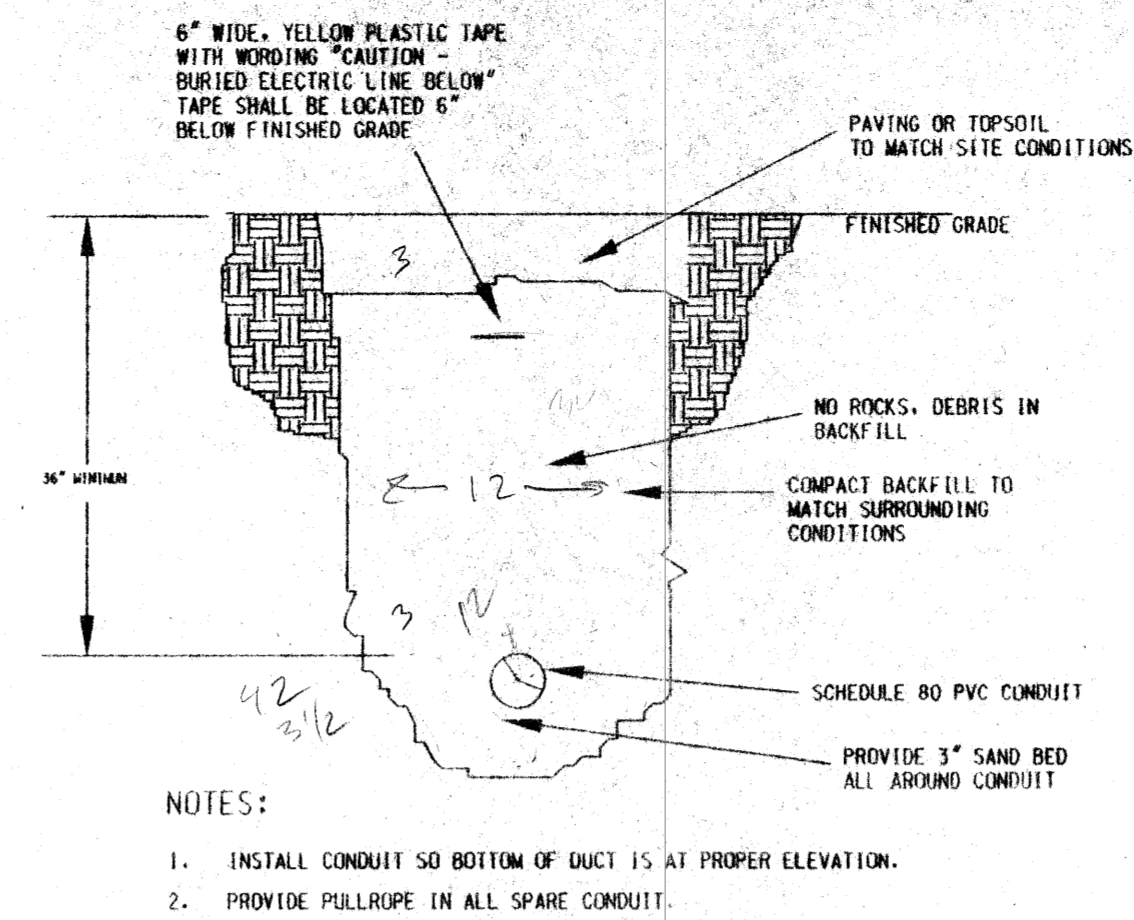
DUCTBANK TO EXISTING TRANSFORMER PAD DETAIL
NOT TO SCALE



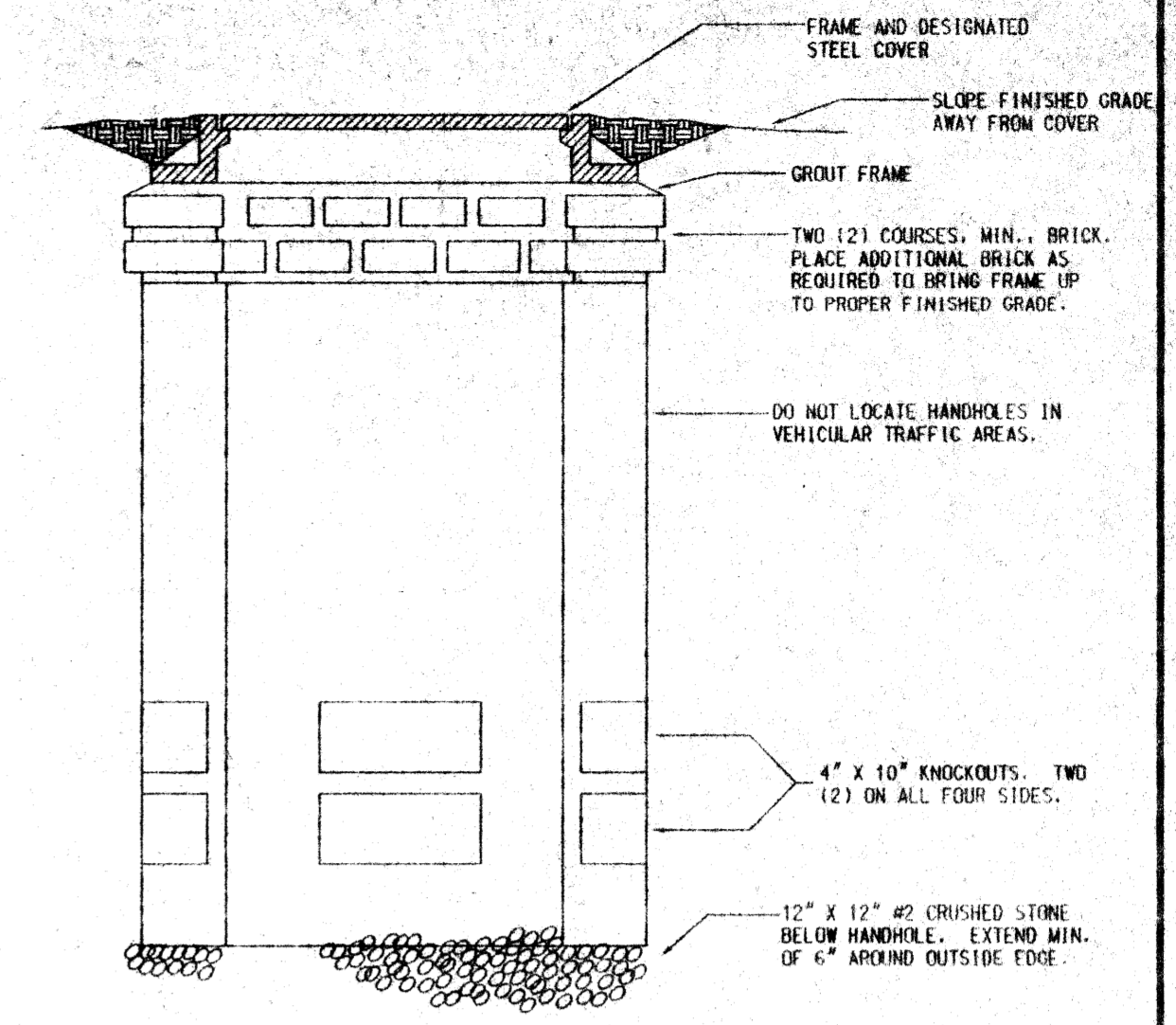
EXISTING SWITCHGEAR LAYOUT DETAIL

LEGEND

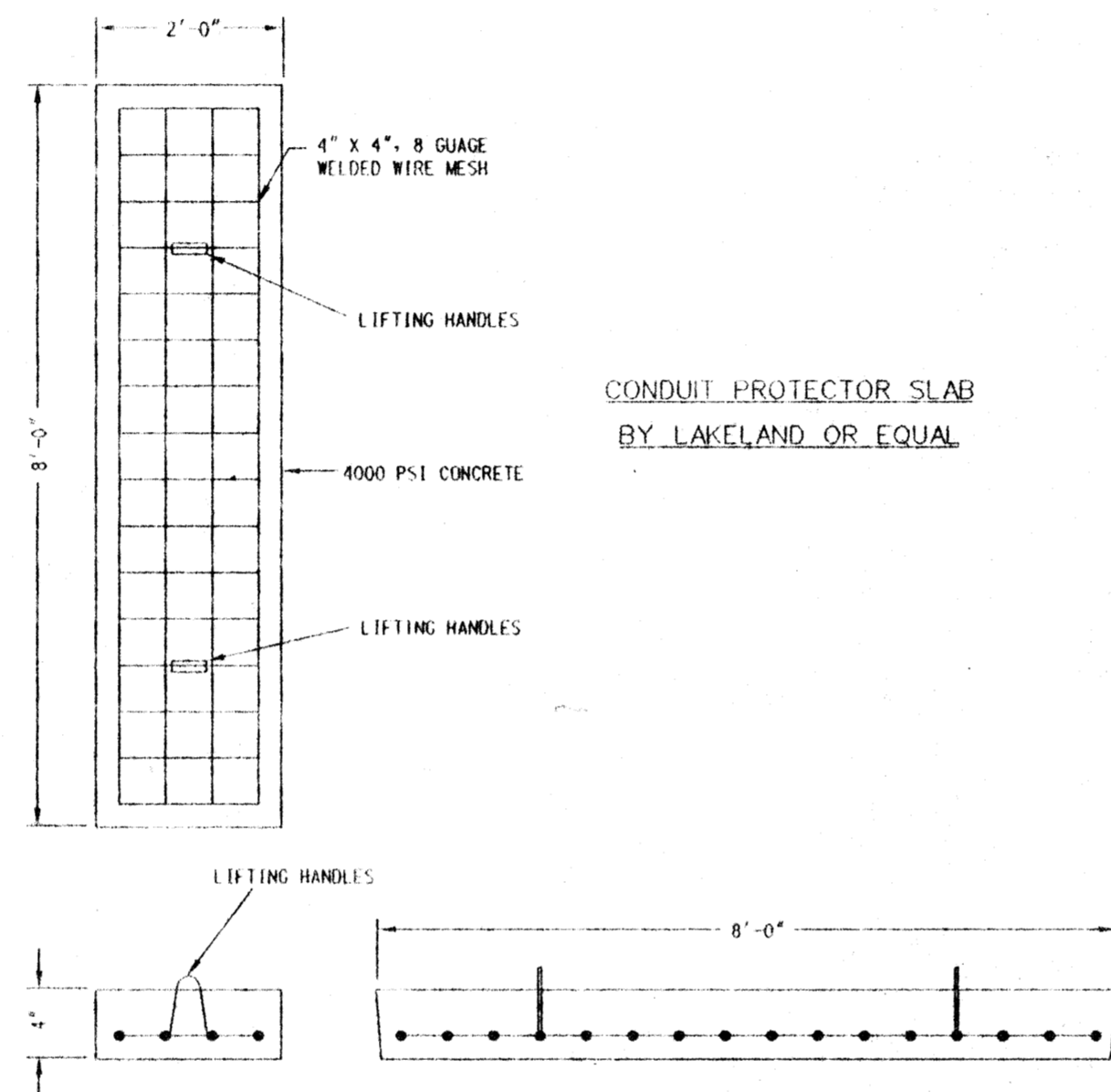
	ELECTRIC MANHOLE
	PULL BOX, HAND HOLE
	DENOTES EXISTING EQUIPMENT TO BE REMOVED
	ELECTRIC DUCT BANK
	DRAWING NOTE
	SITE LIGHTING FIXTURE, POLE MOUNTED
	BRANCH CIRCUIT PANELBOARD, 208Y/120 OR 240/120 VOLT



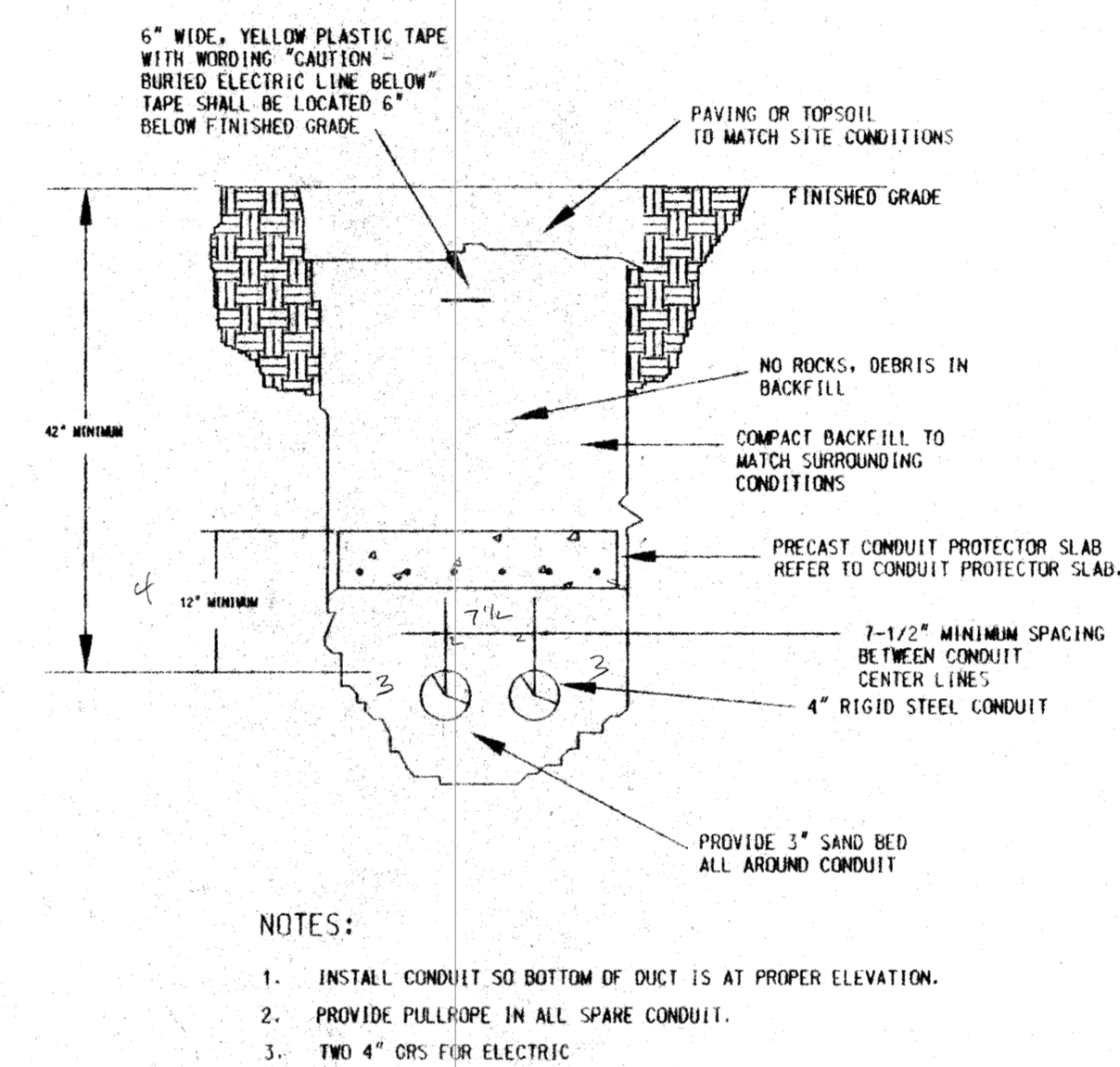
DIRECT BURIAL DETAIL - PARKING LOT



HAND HOLE DETAIL
NO SCALE

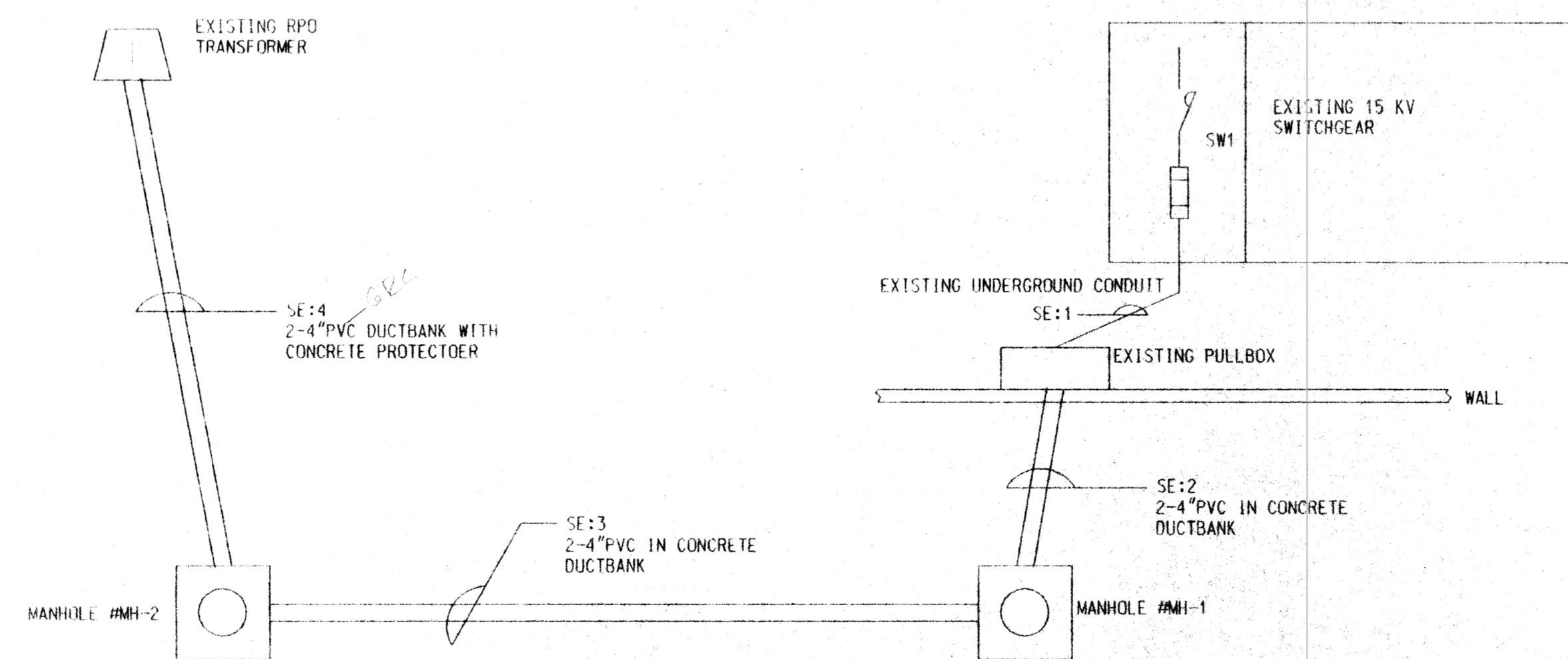


TYPICAL CONDUIT PROTECTOR SLAB

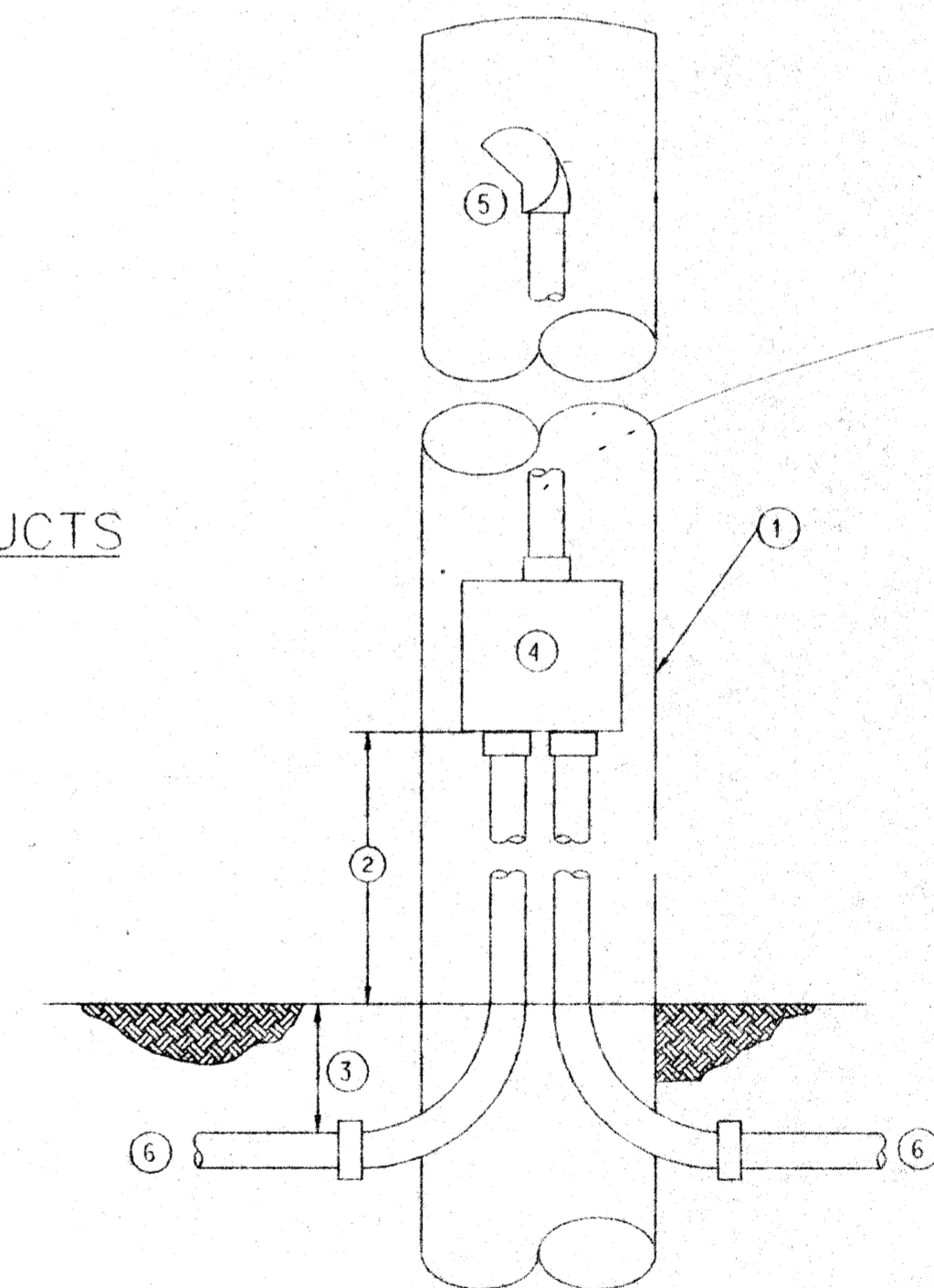


TYPICAL DIRECT BURIAL DETAIL - TWO DUCTS

CABLE OR CONDUIT	DESCRIPTION	TYPE	SIZE	CONDUIT			QUANTITY	SIZE	NOTES
				DEPTH	SPACING	COVER			
1/0	EXISTING 15KV	4\"/>							



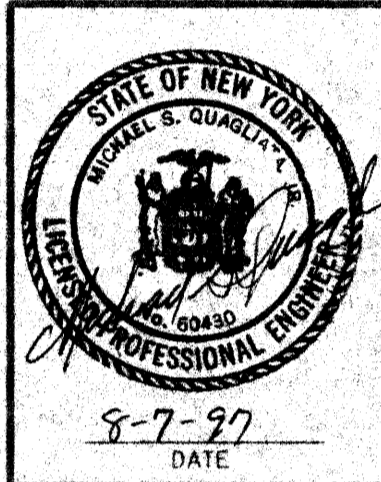
DUCTBANK PLAN
NOT TO SCALE



NOTES:
 1 LIGHT POLE
 2 MOUNT JUNCTION BOX AT 10'-0" AFG.
 3 MINIMUM 30" BELOW GRADE.
 4 WEATHER PROOF 8"X 8" PVC JUNCTION BOX.
 5 WEATHERHEAD
 6 SCHEDULE 80 PVC CONDUIT

LIGHT POLE RISER DETAIL

NO.	DATE	DESCRIPTION	REVISIONS



Flint, Allen, White & Radley
 Consulting Engineers, P.C.
 245 SUMMIT POINT DRIVE, SUITE 4
 HENRIETTA, NEW YORK 14457
 (716) 359-0280 FAX (716) 359-0559

ELECTRICAL DETAILS & SCHEDULES
 PROJECT NAME: ELECTRIC REWIRING @ FLOC AND FLPAC
 CLIENT: ONTARIO COUNTY

PROJECT NO.:	
DATE:	8/6/97
SCALE:	AS SHOWN
DRAWING NO.:	E-1
SHEET NO.:	4 of 5

